



PVP1100, PVP2000, PVP2800, PVP3000

Highly-configurable, low power solar inverters for residential installations

The PVP1100, PVP2000, PVP2800, and PVP3000 inverters provide maximum energy harvest for smaller PV installations. With significant configuration flexibility, industry-leading reliability and easy jobsite installation, these inverters are ideally suited to the dynamic residential solar market. These units are ideal for integration into new and existing homes and, with proper planning, allow homeowners to expand their PV systems over time.

The inverters are available in extended and standard voltage range versions to best fit the needs of each installation. The Extended Voltage Range (115-500VDC) products offer the industry's lowest MPPT voltage and are the ideal choice for integration with next generation low voltage and building-integrated (BIPV) modules. The standard voltage range (150-500VDC) products are optimized for traditional modules. Together, the entire product line offers the most design configurations across the widest range of PV modules.

Additional flexibility is provided by PV Powered's new ETL-listed and NEC code-compliant integration platform for both indoor and outdoor installations. This flexible approach enables visually pleasing, site-specific configurations that reduce permitting and inspection issues and reduce installation time.



Optional Performance Monitoring



Performance monitoring solutions are available on all PV Powered inverters and include low cost, secure web-based access to PV system status and performance history.

FEATURES

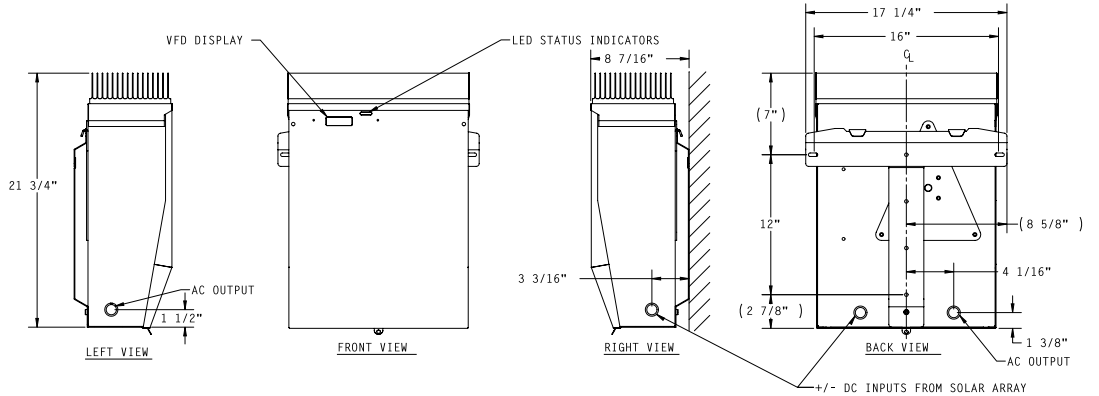
- **Flexible System Configurations**
 - Standard (150-500VDC) or Extended (115-500VDC) DC operating ranges
 - Lowest MPPT voltage (115VDC) improves compatibility with new low voltage and BIPV modules
- **Superior Reliability**
 - Significant software integration rather than complex hardware design
 - Field-proven reliability
- **Easy Installation**
 - No neutral required with three-wire AC installations
 - Meets revised UL1741 standard
 - Field-configurable grounding scheme with simple jumper selection
 - 10 knockouts for a variety of conduit routing options
 - Anti-corrosive NEMA 3R steel enclosure
- **Technical Support and Field Service**
 - Industry leading service reimbursement policy
 - Installer-focused support
 - No special clubs or purchase requirements to get the best technical support in the industry
 - Live phone support
 - \$400 service reimbursement that sets the industry standard for RMA compensation

150 SW Scalehouse Loop
Bend OR 97702

541-312-3832
WWW.PVPOWERED.COM

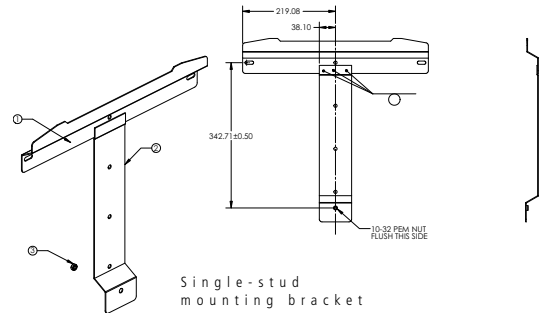
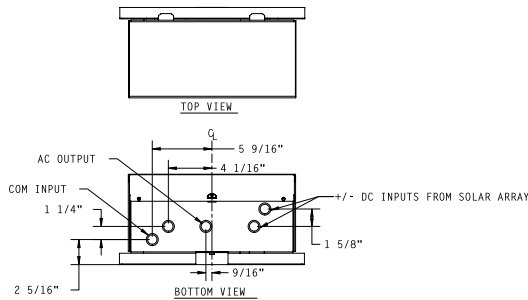
DIMENSIONS

PVP1100, PVP2000, PVP2800, PVP3000



NOTE: INPUT AND OUTPUT OPENINGS HAVE 1/2" AND 3/4" DIAMETER KNOCKOUTS

Dimensions shown are subject to change... contact the PV Powered sales department for the latest drawing.



ELECTRICAL SPECIFICATIONS

MODEL	PVP1100EVR	PVP1100	PVP2000EVR	PVP2000	PVP2800	PVP3000
EVR = Extended Voltage Range						
Continuous Output Power (watts)	1100	1100	2000	2000	2800	3000
Weighted CEC Efficiency (%)	90.5	91.5	92	92.5	93.5*	93.5
Maximum DC Input Voltage (VOC)	500	500	500	500	500	500
DC Voltage Operating Range (V)	115-450	150-450	115-450	150-450	180-450	170-450
DC Isc Maximum Current (A)	26	26	26	26	26	26
DC Imp Nominal Current (A)	10	8	18	14	16	18
AC Nominal Voltage (V)	120	120	240	240	208	240
AC Operating Range (V)	105.6-132.5	105.6-132.5	211-264	211-264	183-229	211-264
AC Frequency Range (Hz)	59.3-60.5	59.3-60.5	59.3-60.5	59.3-60.5	59.3-60.5	59.3-60.5
AC Maximum Continuous Current (A)	10	10	9	9	14	13

MECHANICAL SPECIFICATIONS

MODEL	PVP1100EVR	PVP1100	PVP2000EVR	PVP2000	PVP2800	PVP3000
NEMA 3R (Outdoor Rated) Sealed Powder Coated Electro-Magnetic Plated Steel Enclosure	✓	✓	✓	✓	✓	✓
Wall Mounted with Included Bracket	✓	✓	✓	✓	✓	✓
Weight (lbs)	55	55	65	65	70	80

AGENCY APPROVALS

MODEL	PVP1100EVR	PVP1100	PVP2000EVR	PVP2000	PVP2800	PVP3000
UL 1741 Nov 2005 Revision, IEEE 1547 Compliant, FCC Class A & B	✓	✓	✓	✓	✓*	✓

* Pending CEC verification



(800) 967-6917

www.dcpower-systems.com

